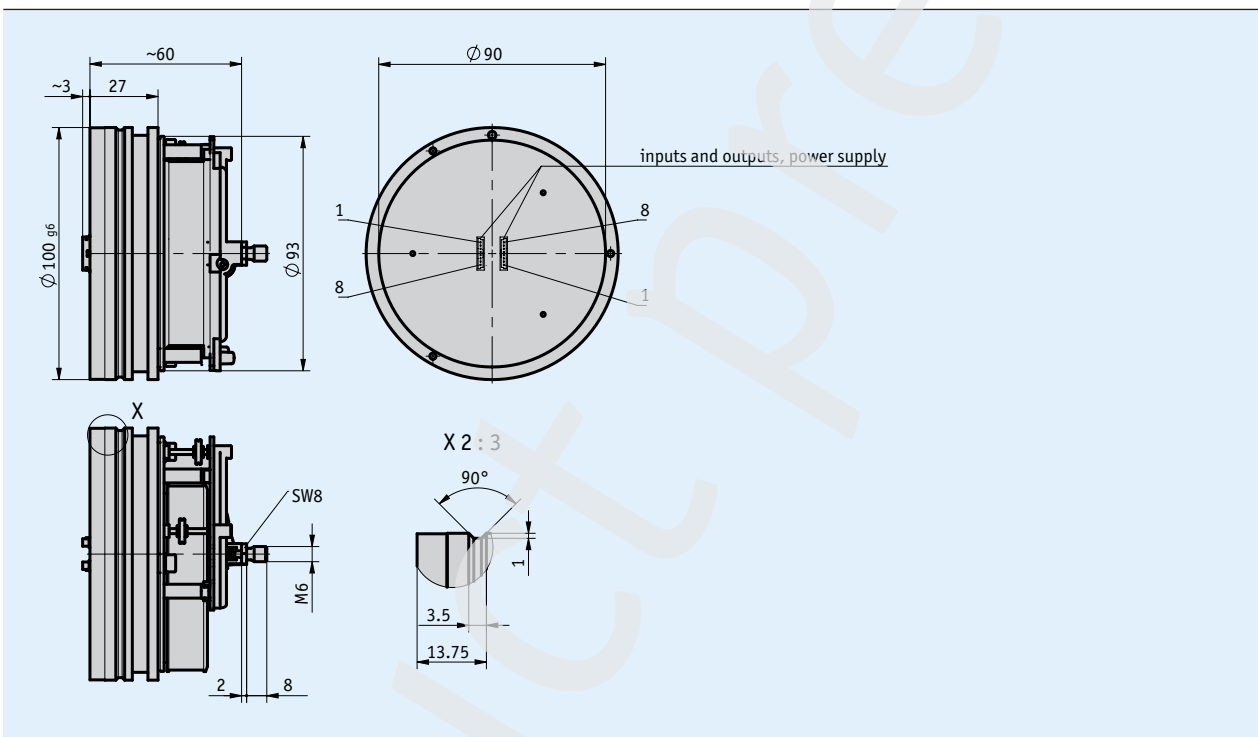
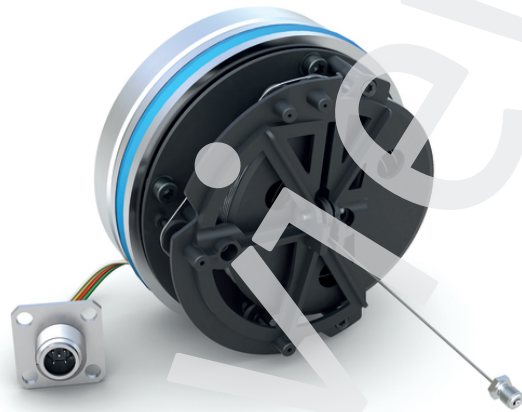


Profile

- Measuring range 0 ... 5000 mm (196.85 inches)
- Absolute measuring system
- Pressure-resistant up to 350 bar, pressure peaks up to 650 bar
- High degree of flexibility, adjustable to all measuring lengths thanks to teach-in
- Redundant interfaces available
- Safety version usable up to Performance Level d
- Analog, CANopen, SAE J1939, CANopen Safety interfaces



Mechanical data

| Feature | Technical data | Additional information |
|-------------|----------------|------------------------|
| Flange | aluminum | sealing ring (PUR) |
| Housing | synthetic | POM |
| Wire design | ø0.45 mm | steel rope (stainless) |

Electrical data

■ Analog interface

| Feature | Technical data | Additional information |
|-------------------------|------------------------|--|
| Operating voltage | 9 ... 32 V DC | with output 0 ... 5 V, 0.5 ... 4.5 V, 0.25 ... 4.75 V, 1.0 ... 4.9 V, reverse polarity protected |
| | 12 ... 32 V DC | with output 0 ... 10 V, reverse polarity protected |
| | 12 ... 32 V DC | with output 0 ... 20 mA, 4 ... 20 mA, but $U_B > U_{load} + 2.0$ V, reverse polarity protected |
| Current consumption | <32 mA | without load |
| Power input | <0.5 W | without load |
| Digital inputs | 2 | limit inputs |
| Input signal level high | >8.4 V | |
| Input signal level low | <2.8 V | |
| Output voltage | 0 ... 10 V | load current <10 mA |
| | 0 ... 5 V | load current <10 mA |
| | 0.5 ... 4.5 V | load current <10 mA |
| | 0.25 ... 4.75 V | load current <10 mA |
| Output current | 1 ... 4.9 V | load current <10 mA |
| | 0 ... 20 mA | load $\leq 500 \Omega$ |
| | 4 ... 20 mA | load $\leq 500 \Omega$ |
| Type of connection | plug connection system | KV1H accessory |

■ CANopen interface

| Feature | Technical data | Additional information |
|--------------------|-------------------------------------|--|
| Operating voltage | 10 ... 30 V DC | reverse polarity protected |
| Power input | <0.8 W | |
| Interface | according to ISO 1189, not isolated | CANopen, CIA 406, CIA 301 |
| Address | adjustable | per SDO or Layer Setting Service (LSS) |
| Baud rate | ≤ 1 MBit/s | |
| Type of connection | plug connection system | KV1H accessory |

System data

| Feature | Technical data | Additional information |
|-----------------|----------------|---|
| Scanning | magnetic | |
| Measuring range | 5000 mm | measuring range flexibly usable between 0...5000 mm |

Ambient conditions

| Feature | Technical data | Additional information |
|---------------------|----------------|--|
| Ambient temperature | -40 ... 105 °C | electronics |
| | -40 ... 105 °C | mechanics |
| Storage temperature | -40 ... 85 °C | |
| Relative humidity | 100 % | condensation admissible in the mounted and plugged condition |
| Operating pressure | <350 bar | |
| Overload pressure | <650 bar | |
| Protection category | IP69K | built in the cylinder (IP69K), with KV1H and suitable mating connector |