

Genehmigungszeichnung / Approval Drawing

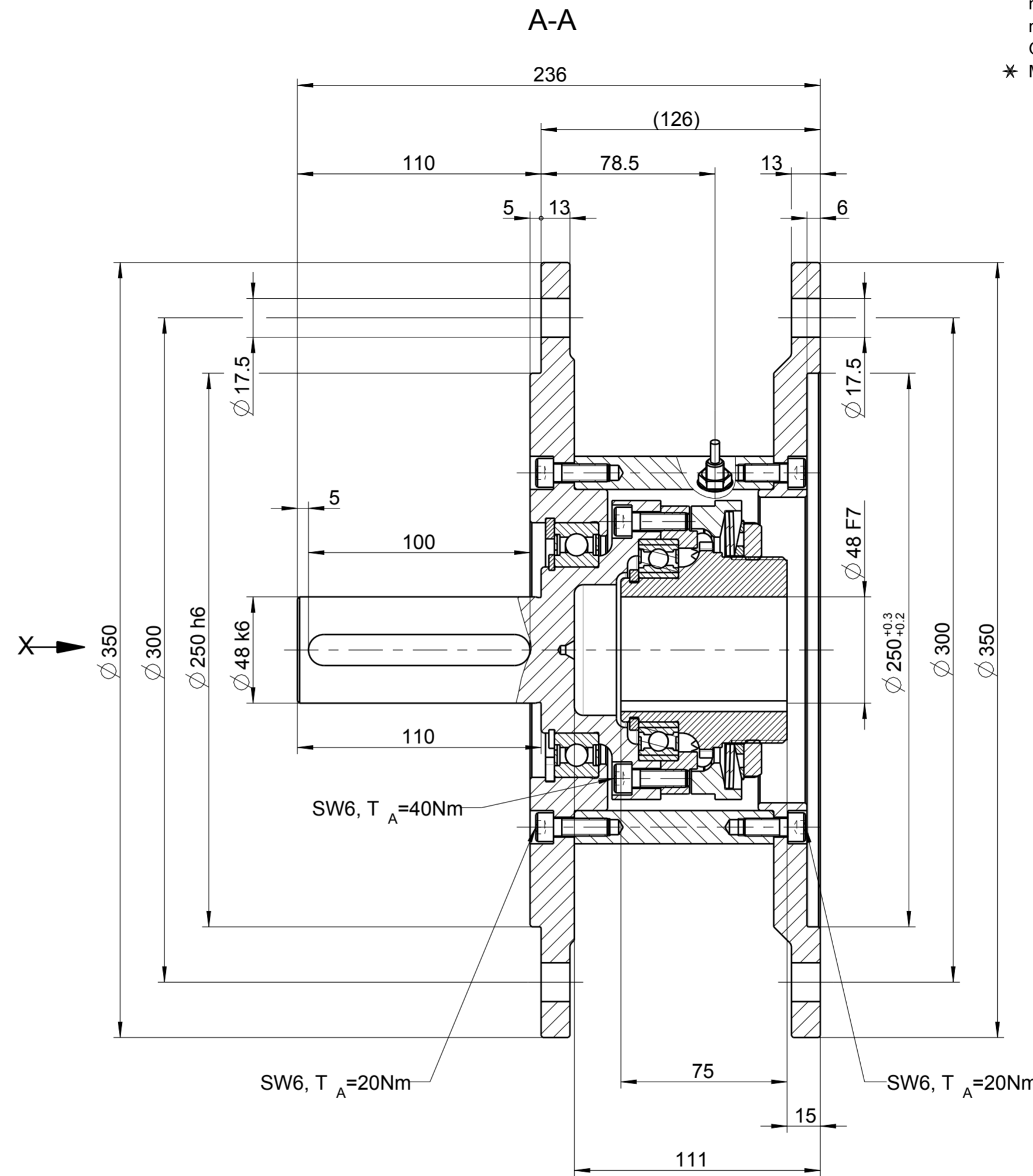
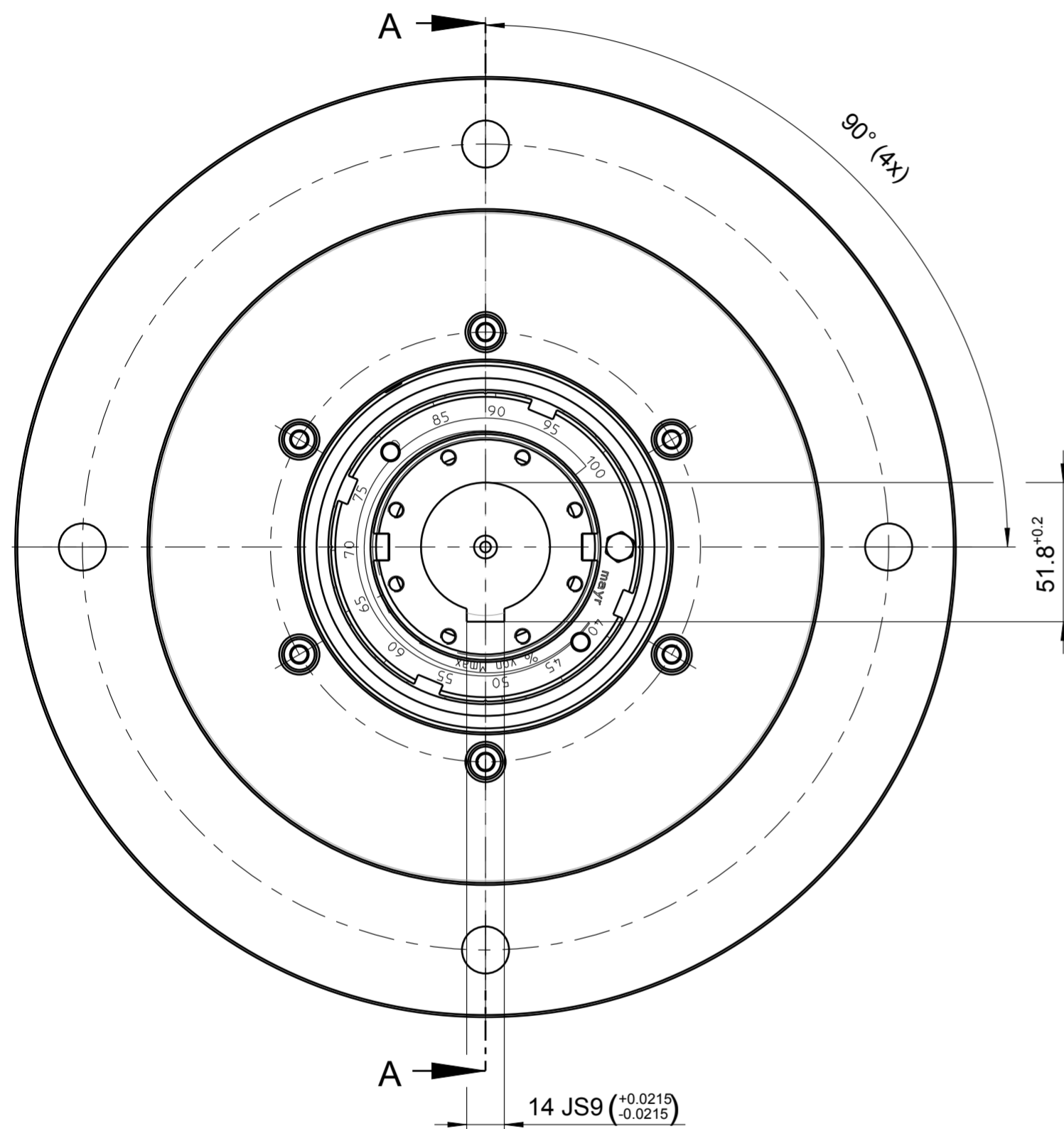
Technische Daten / technical data

max. Drehmoment / max. torque of clutch
 min. Drehmoment / min. torque of clutch
 max. Drehzahl / max. speed
 Gesamtgewicht / overall weight
 * Massenträgheitsmoment / mass moment of inertia

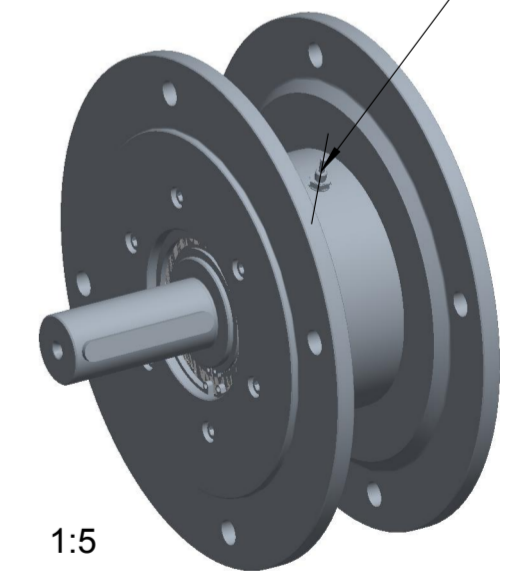
$M_{max} = 350 \text{ Nm}$
 $M_{min} = 140 \text{ Nm}$
 $n_{max} = 1500 \text{ 1/min}$
 $m_{ges} = 34.57 \text{ kg}$
 $I_{ges} = 0.01403 \text{ kgm}^2$

EAS-HTL Size 180-3
 Type 490.625.0
 hub
 bore: 48 mm
 fit: F7
 keyway: DIN 6885 Bl.1 JS9
 adjustment
 torque: 275 Nm
 Output shaft $\varnothing 48\text{k6}$; key acc. to DIN 6885/1
 With integrated proximity switch
 Torque limit for overload 140 to 350 Nm

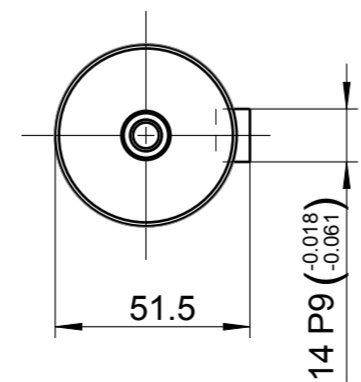
Drive Systems Pty Ltd
Phone +61(0)3 9759 7100
www.drivesystems.com.au
27.02.2018, Dean Hansen



Näherungsschalter PNP-Schließer
 proximity switch PNP-normally open



Ansicht / view X



* bezogen auf Überlastkupplung mit Abtriebswelle /
 refers to clutch with output shaft

The reproduction, distribution and utilization of this document as well as the communication of its contents to others without explicit authorization is prohibited. Offenders will be held liable for the payment of damages. All rights reserved in the event of the grant of a patent, utility model or design.

Datum / date		Name / name		 Chr. Mayr GmbH + Co. KG
erstellt generate	27.02.2018	DEAN.HANSEN		
Benennung / part name				Artikelnummer / part number
EAS-HTL Size 180-3				7025850-2
Maßstab scale	Type type	Größe size	Gewicht weight	
1:2	490.625.0	3	34.57 kg	
Kunde customer		Dean Hansen		