

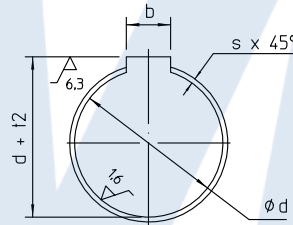
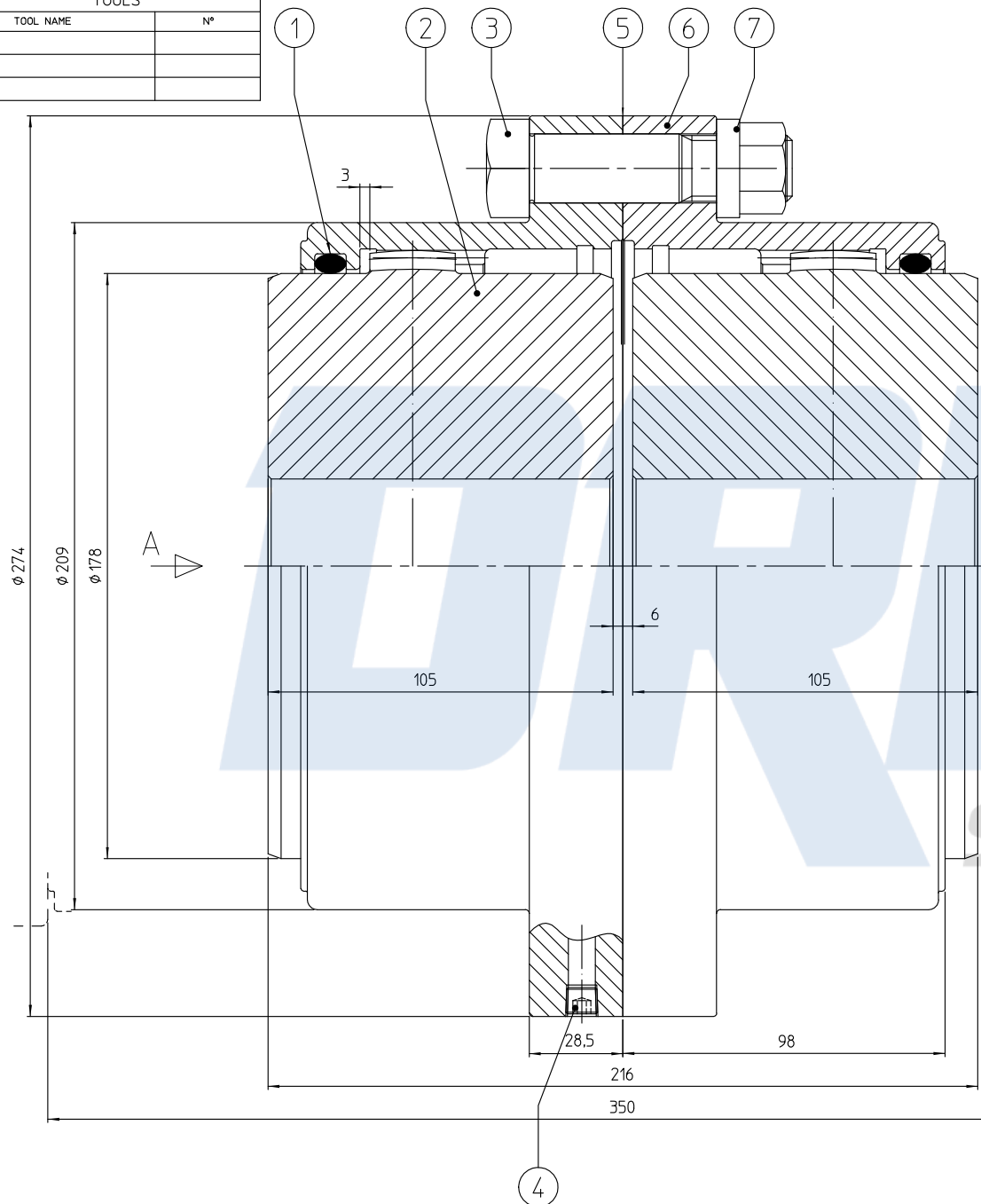
TOOLS	
TOOL NAME	N°



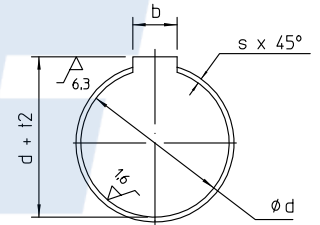
Drive Systems Pty Ltd
 ☎ +61 (0) 3 9796 4800
 @ info@drivesystems.com.au
 🏠 8/32 Melverton Drive, Hallam,
 Victoria 3803 Australia
 🌐 drivesystems.com.au
 ABN: 83 836 394 598



Application nominal torque : Nm
 Application peak torque : Nm
 Application nominal speed : rpm
 Application maximum speed : rpm
 Coupling gear max nominal torque capacity : 22000 Nm
 Coupling gear max peak torque capacity : 44000 Nm
 Maximum angular misalignment capacity : 2 x 0.75 degree
 Bore : min 55 mm
 max 132 mm
 Weight : 59.2 kg
 'J' : 0.430 kg m2
 For assembly, operation and maintenance
 see I.M./B400



View A



View A

4

Item	Qty	Designation	Material	Drawing Nr	Code Nr
7	8	Reduced hex. nut	St 12	E-1703	107020.020000.121
6	2	Sleeve	9940550-001	E-1709	449016.130000.003
5	1	Gasket	Paper	E-1712	449016.130000.006
4	4	Plug	St 5,8	.	104906.702000.050
3	8	Fit bolt	St 12,9	.	101609.020080.124
2	2	Hub flex	Ck 45	9940550-004	449016.130000.004
1	2	O-ring	Buna	.	111100.020441.000

REV.	ZONE	REVISION	DATE	NAME
B		Torques 22000 & 44000 were 21000 & 42000	18-04-2001	S. C.
A		Item 7 quality 12 was 10	8-03-2001	D.P.F.

Roughness		Inertia (J) :		kg,m2	Weight :	kg	File Nr
Symbol	Ra	μ inch	μ m	Scale	Tolerances : Unless otherwise specified	Drawn	G. H.
~	—	—	—	1 / 1	Linear : * 0,1mm	Date	05-05-2000
∇	252	6,3	∇	0 1 2 3 4cm	Angular : * 0°30'	Meth.	Concept.
∇∇	126	3,2	∇		Approved	DPF	AG
∇∇∇	63	1,6	∇		n.v. ESCO TRANSMISSIONS s.a.		
∇∇∇∇	31,5	0,8	∇		Culliganlaan, 3 1831 DIEGEM - BELGIUM Tel: 020 7204880 Fax: 020 7212827		

ESCOSCO		transmissions	Format	A 2
ESCOSCO			Drawing Nr	Rev.
ESCOSCO			9940550-000	B