

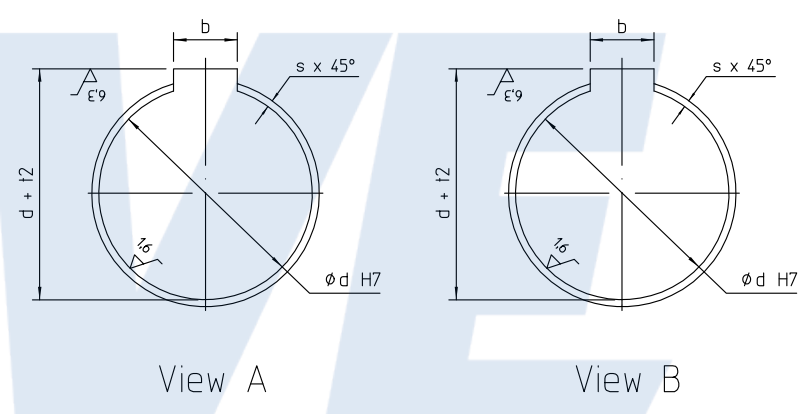
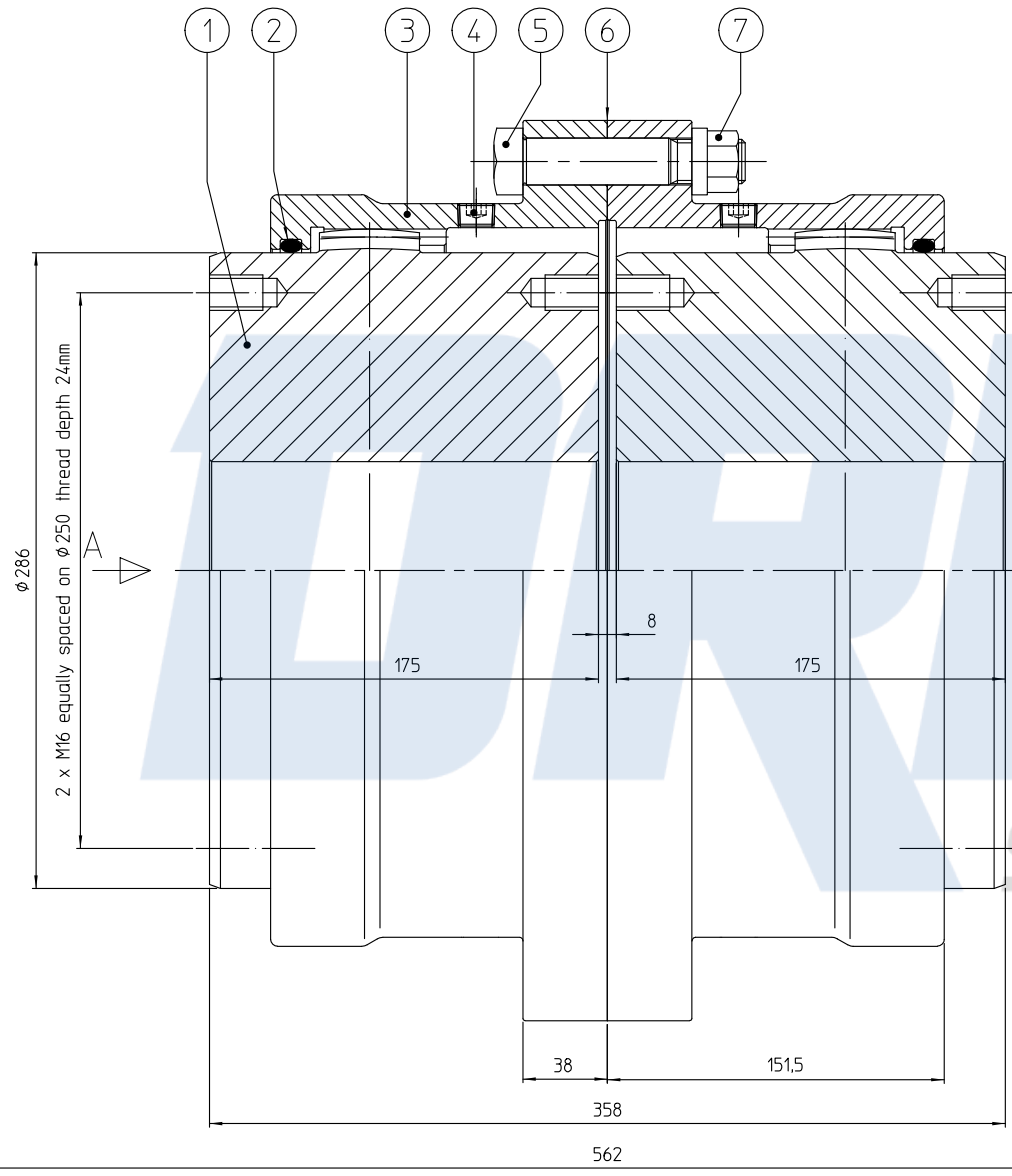
TOOLS	
TOOL NAME	N°



Application nominal torque : .... Nm  
 Application peak torque : .... Nm  
 Application nominal speed : .... rpm  
 Application maximum speed : .... rpm  
 Coupling gear max nominal torque capacity : 84000 Nm  
 Coupling gear max peak torque capacity : 168000 Nm  
 Maximum angular misalignment capacity : 2x0.75 degree  
 Bore : min 100 mm  
           max 217 mm  
 Weight : 219 kg  
 'J' : 3.59 kg m2  
 For assembly, operation and maintenance  
 see I.M./B400

**Drive Systems Pty Ltd**

+61 (0) 3 9796 4800  
 @ info@drivesystems.com.au  
 8/32 Melverton Drive, Hallam,  
 Victoria 3803 Australia  
 @ drivesystems.com.au  
 ABN: 83 836 394 598



Item	Qty	Designation	Material	Drawing Nr	Code Nr
7	14	Reduced hex. nut	St 12	E-1703	107020.020000.121
6	1	Gasket	Paper	E-1712	449016.215000.006
5	14	Fit bolt	St 12.9	.	101609.020100.124
4	4	Plug	St 5,8	.	104906.706000.000
3	2	Sleeve	9940750-001	E-1709	449016.215000.003
2	2	O-ring	Buna	.	111100.020452.000
1	2	Hub flex	Ck 45	9940750-004	449016.215000.004

REV.	ZONE	REVISION	DATE	NAME
B		O ring 11100.020452.000 etai 11100.020451.000	28-03-2001	D.P.F.
A		Item 7 quality 12 was 10	8-03-2001	D.P.F.

Roughness		Inertia (J) :		kg,m2	Weight :	kg	File Nr
Symbol	Ra						
~	µ inch	µ m					
∇	252	6.3					
∇∇	126	3.2					
∇∇∇	63	1.6					
∇∇∇∇	31.5	0.8					

Tolerances : Unless otherwise specified  
 Linear : \* 0,1mm  
 Angular : \* 0°30'

Scale 1 / 1,66

0 1 2 3 4cm

This design is the exclusive property of NV ESCO TRANSMISSIONS S.A. - DIEGEN It is for internal use only and is not to be reproduced or to be transmitted To others without written consent.

Drawn G. H.  
 Date 26-05-2000  
 Meth. Concept. AG  
 Approved JMG

n.v. ESCO TRANSMISSIONS s.a.  
 Culliganlaan, 3  
 1831 DIEGEN - BELGIUM  
 Tel: 020 7204880 Fax: 020 7212827

ESCO transmissions

ESCOGEAR FST 215 EM  
 Assembly

Format	A 2
Drawing Nr	9940750-000
Rev.	B